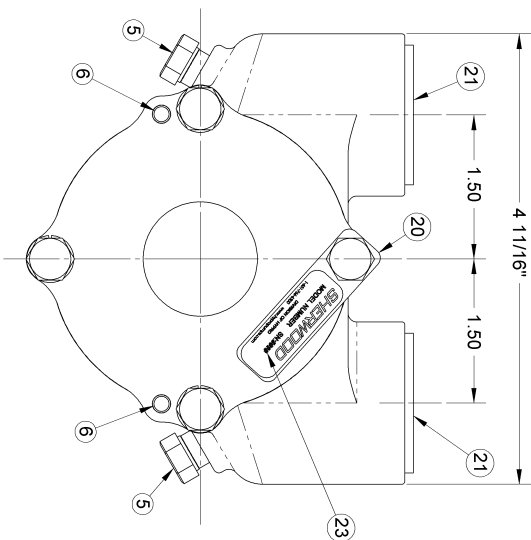
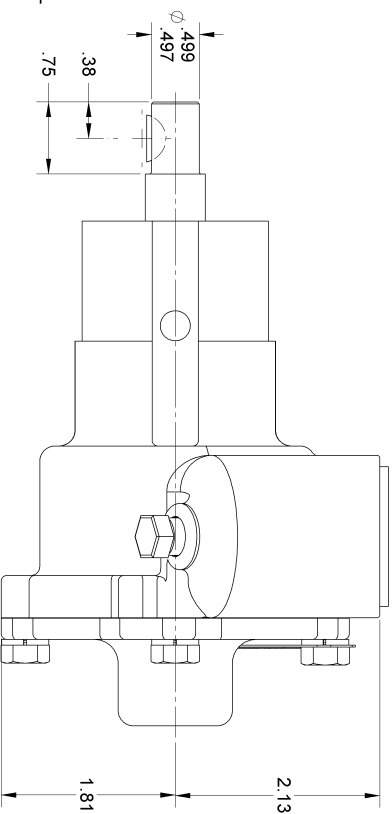
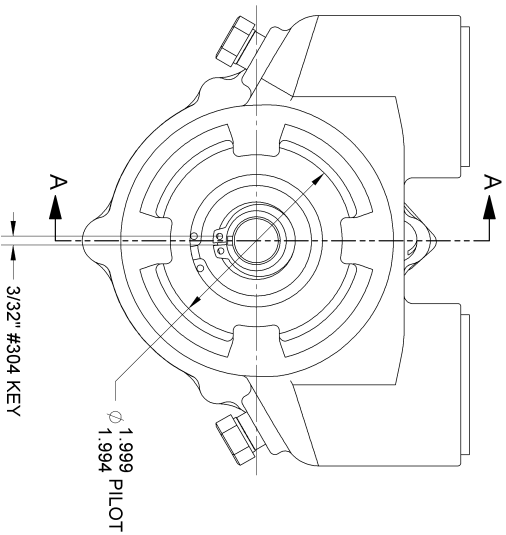
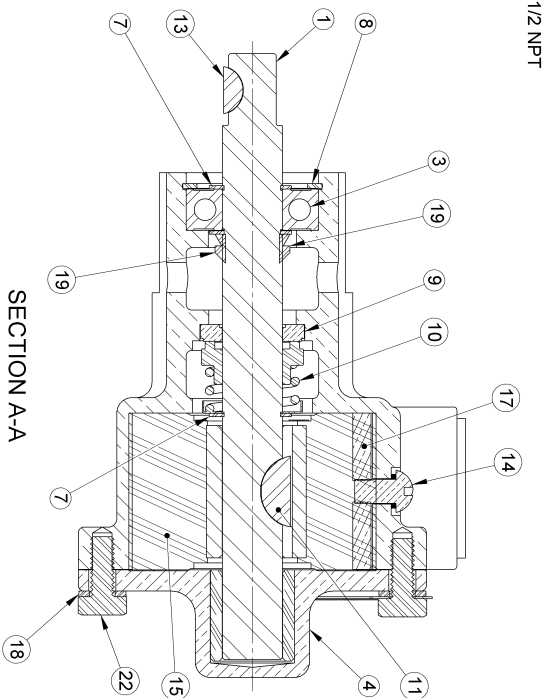
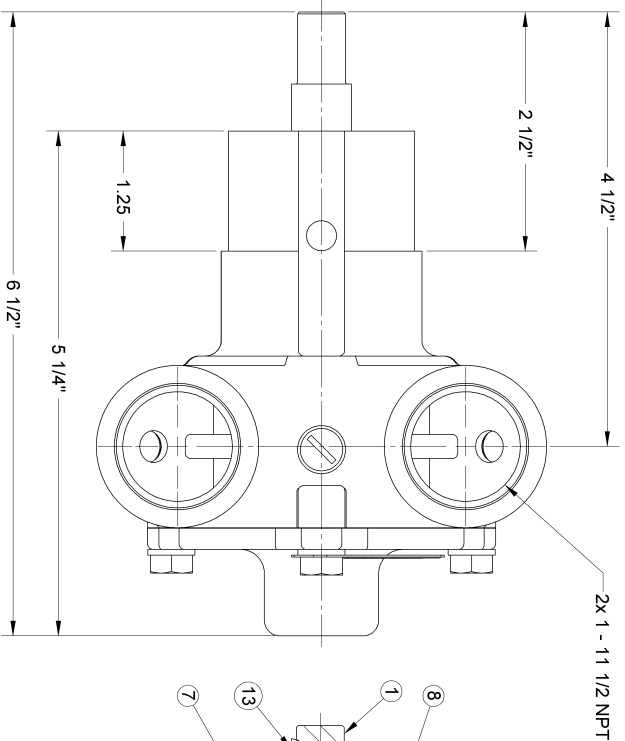


ITEM NO.	PART NUMBER	DESCRIPTION	QTY.
1	11374	SHAFT	1
2	11370	BODY - MACH	1
3	04257	BALL BEARING	1
4	10182	COVER	1
5	00336	PLUG	2
6	01311	DOWEL PIN	2
7	04258	EXT. RETAINING RING	3
8	04259	INT. RETAINING RING	1
9	10926	SEAL SEAT	1
10	18743	MECH SEAL - TYPE 21	1
11	04432	WOODRUFF KEY	1
12	06333	BUSHING - GRAPHITE	1
13	10093	#304 KEY	1
14	10515C	CAM SCREW ASSY	1
15	10615	RUBBER IMPELLER	1
16	10931	GASKER - FIBRE	1
17	10944	CAM	4
18	12710	LOCKWASHER	4
19	14990	SLINGER	1
20	13285	TAG	1
21	18390	PLUG - PLASTIC	2
22	2210-0001	HEX HD SCR 1/4-20	4
23	23083	LABEL	1

NOTES:

1. APPLY BEAD OF PERMATEX AROUND CAM THREADED HOLE PRIOR TO ASSEMBLY. (ITEM 17).
2. USE PAC-EASE OR EQUIV WHEN INSTALLING WATER SEAL. (ITEM 10).
3. USE COOLANT TO AID IN INSTALLATION OF RUBBER IMPELLER. (ITEM 15).
4. TORQUE HEX HD SCREW 1/4-20. (ITEM 22), TO 5-8 FT/LBS.
5. PRESSURE TEST PUMP TO 20-30 PSI.
6. PRINT RP-B-C AND DATE CODE ON LABEL. (ITEM 23).



SHERWOOD
A Div. of *Hypno Corporation* A PERIAR COMPANY
375 Fifth Avenue NW, New Brighton, MN 55112 (651) 766-6300

DRAWING BASED ON ASME Y14.5M-1994 DO NOT SCALE PRINT
SCALE SHEET NUMBER 1 OF 1
PART DESCRIPTION **IMPELLER PUMP ASSY**

REV. M 6/19/95 UPDATE BOM, ADD NOTES, & REDRAWN
REV. L 6/19/95 UPDATE BOM
REV. ECN. DESCRIPTION REVISIONS APPROVED DATE

DATE: 6/22/1987
DATE: 6/22/1987
DATE: 6/22/1987

REV. RPBC M